

Shielded, SMT Power Inductors

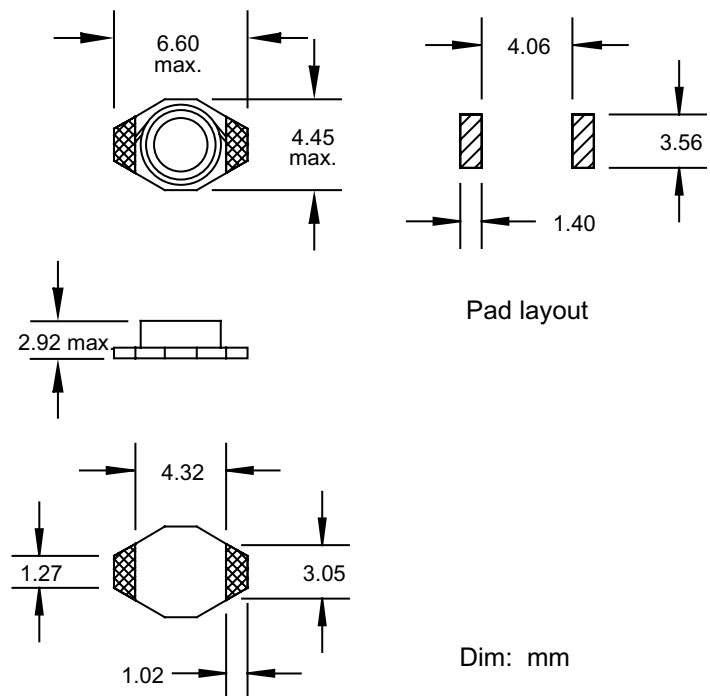
Special Features

- High energy storage capacity
- Magnetically shielded
- Low DCR
- Ferrite bobbin core
- Low profile, miniature size
- High heat resistance, ideal for reflow soldering
- High reliability
- Test frequency 100KHz
- Operating temperature -40 to +85°C
- Rms current to cause 30°C temperature rise
- Tape & reel packaged 750/reel

Typical Applications

- High reliability, low magnetic coupling and densely packed board design
- Small cell phones
- PDAs
- Pagers
- Flash memory programmers
- Notebook computers
- Battery chargers
- DC-DC converters
- Network cards
- Switching boards
- Industrial electronics
- Entertainment electronic devices

PM1608S Series				
Part Number	L (uH) ± 20%	DCR (Ω) Max.	SRF (MHz) Typ.	I _{rms} (A)
PM1608S-1R0M	1.0	0.04	250	3.0
PM1608S-1R5M	1.5	0.045	125	2.8
PM1608S-2R2M	2.2	0.05	120	1.8
PM1608S-3R3M	3.3	0.055	120	1.6
PM1608S-4R7M	4.7	0.06	105	1.4
PM1608S-6R8M	6.8	0.065	50	1.2
PM1608S-100M	10	0.075	38	1.0
PM1608S-150M	15	0.09	33	0.8
PM1608S-220M	22	0.11	25	0.7
PM1608S-330M	33	0.19	20	0.6
PM1608S-470M	47	0.23	20	0.5
PM1608S-680M	68	0.29	15	0.4
PM1608S-101M	100	0.48	10	0.3
PM1608S-151M	150	0.59	9	0.26
PM1608S-221M	220	0.77	6	0.22
PM1608S-331M	330	1.4	5	0.2
PM1608S-471M	470	1.8	4	0.19
PM1608S-681M	680	2.2	3	0.18
PM1608S-102M	1000	3.4	2	0.15
PM1608S-152M	1500	4.2	2	0.12
PM1608S-222M	2200	8.5	2	0.1
PM1608S-332M	3300	11.0	1	0.08
PM1608S-472M	4700	13.9	1	0.06
PM1608S-682M	6800	25.0	1	0.04
PM1608S-103M	10,000	32.8	0.8	0.02



J.W. Miller
M A G N E T I C S

306 E. Alondra Blvd., Gardena, CA 90247-1059 • (310) 515-1720 • FAX (310) 515-1962

www.jwmiller.com